

1 2 3 4 5 6

A

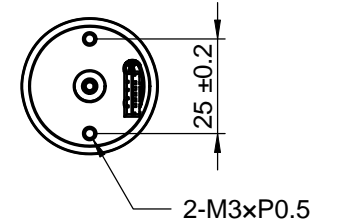
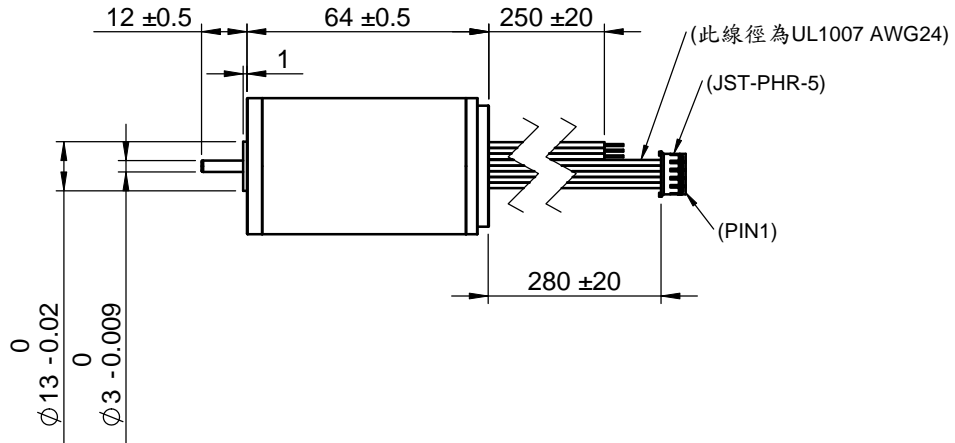
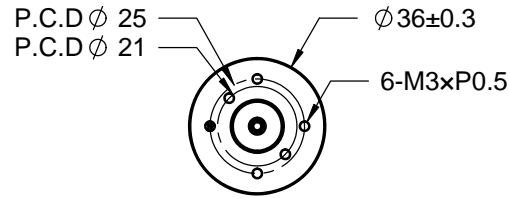
A

B

B

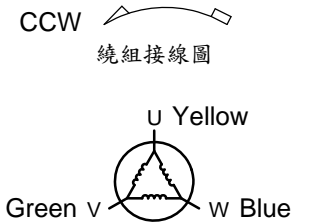
C

C



Hall 接線表		
Pin	Color	功能(說明)
1	Red	+5V
2	Yellow	Hall U
3	Green	Hall V
4	Blue	Hall W
5	White	GND

Motor 接線表		
Pin	Color	功能(說明)
1	Yellow	Motor U
2	Green	Motor V
3	Blue	Motor W



MODEL		NO LOAD		AT MAXIMUM EFFICIENCY					THIRD ANGLE PROJECTION ALL DIMENSION ARE IN MM (UNLESS OTHERWISE SPECIFIED)	製圖 設計 審核 材料 完成時間	Joanne		Cheshire Electric Company, LLC		
NOMINAL	48V DC	SPEED RPM	CURRENT A	SPEED RPM	CURRENT A	TORQUE g-cm	OUTPUT W	EFF %			Part No		Name DC Brushless motor	REV. NO.	A
		24000	0.46	20770	2.90	466.12	101.65	73.04	繪製比例: 1:2	2012/10/5	JB36-G3E1B087				

1 2 3 4 5 6

D

D